

**HEMI 36 HIGH OUTPUT NG & LP
MATCH LIT + FLAME SUPERVISION**

Fire is beautiful and also dangerous if not handled properly. Please have a qualified gas fitter setup and install this product according to local codes.

This product has been tested and certified by Labtest Certification Inc. as being safe, as long as these **minimum clearances** to adjacent materials are maintained.

FOR OUTDOOR USE ONLY

NORTH AMERICA SPECIFICATIONS

Gas type:	<u>Natural Gas</u>	<u>Propane</u>
Inlet press:	7.0" w.c.	11" w.c.
Manifold press:	2.5" w.c.	4.5" w.c.
Heat Output:	108,000 BTU	108,000 BTU

ANSI Z21.97-2014
CSA 2.17-2017

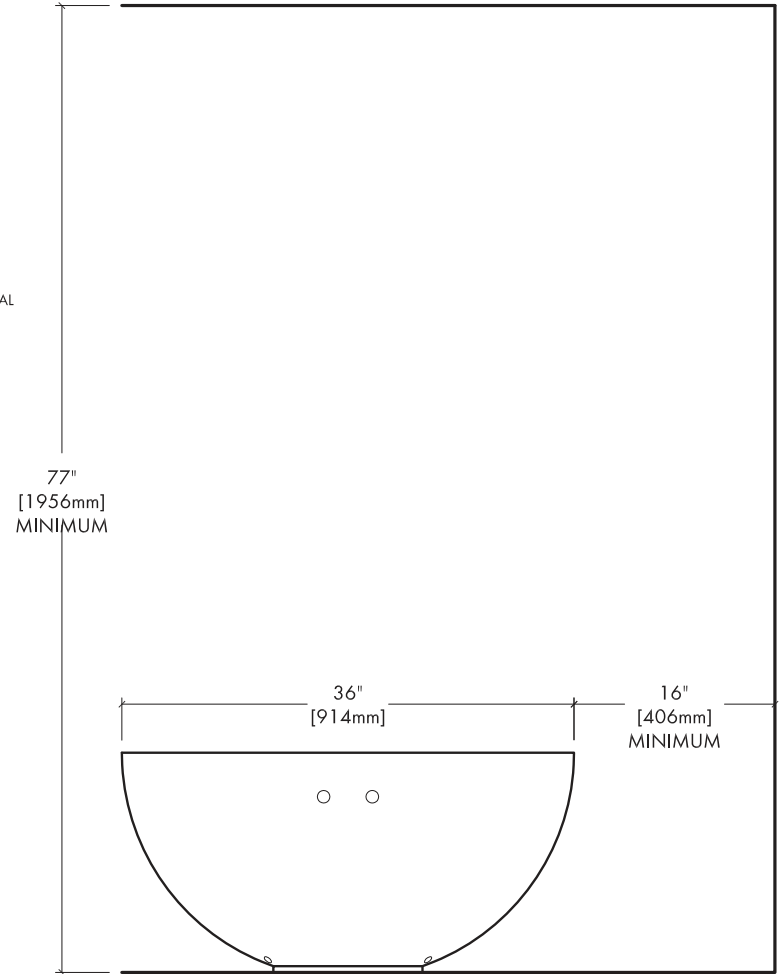
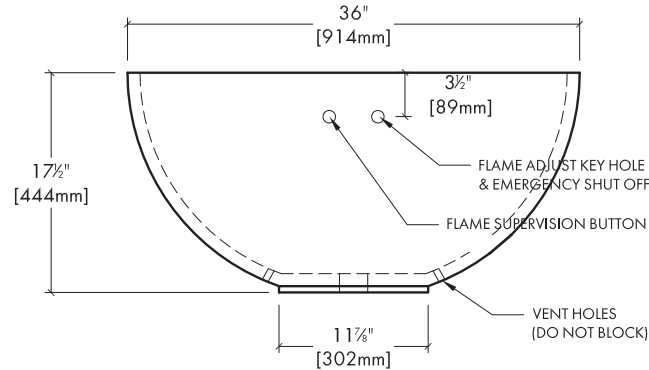
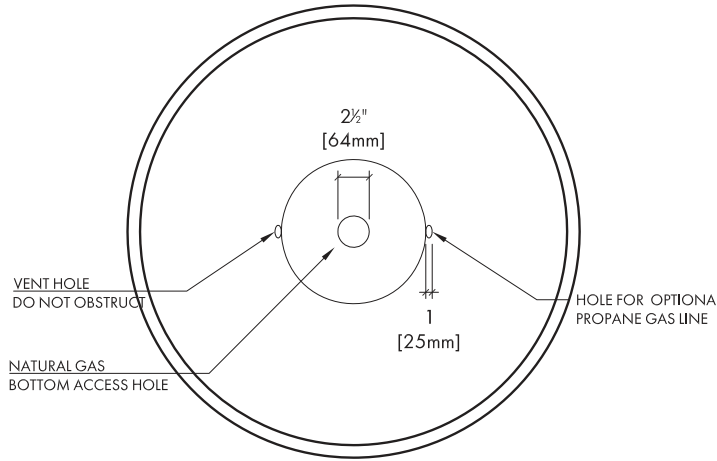


UK & EUROPEAN SPECIFICATIONS

Gas type:	<u>Natural Gas</u>	<u>Propane/But.</u>
	G20	G31
Inlet press:	17.4 mbar	27.33 mbar
Manifold press:	6.22 mbar	11.19 mbar
Heat Output:	31.7 kW	31.7 kW

CONCRETE SPECS

Strength:	10,000 psi (proprietary)
Weight:	156 lbs / 71 kg



CLEARANCES to ADJACENT MATERIALS

ACCESSORIES

- 1/ All Weather Fabric Cover /extends warranty.
- 2/ Hardwood Table Top / Sustainable harvest unfinished red Batu wood.
- 3/ Anodized Aluminum Ring Top / 1/4" plate with 5/8" supports / extends warranty.
- 4/ Glass Wind Guard.

JOB / ORDER
Name or Number:

Signature & Date: