

**HEMI 36 NG & LP  
MATCH LIT + FLAME SUPERVISION**

Fire is beautiful and also dangerous if not handled properly. Please have a qualified gas fitter setup and install this product according to local codes.

This product has been tested and certified by Labtest Certification Inc. as being safe, as long as these **minimum clearances** to adjacent materials are maintained.

**FOR OUTDOOR USE ONLY**

**NORTH AMERICA SPECIFICATIONS**

| Gas type:       | Natural Gas | Propane    |
|-----------------|-------------|------------|
| Inlet press:    | 7.0" w.c.   | 11" w.c.   |
| Manifold press: | 2.5" w.c.   | 4.5" w.c.  |
| Heat Output:    | 73,500 BTU  | 73,500 BTU |

ANSI Z21.97-2014  
CSA 2.17-2017



**UK & EUROPEAN SPECIFICATIONS**

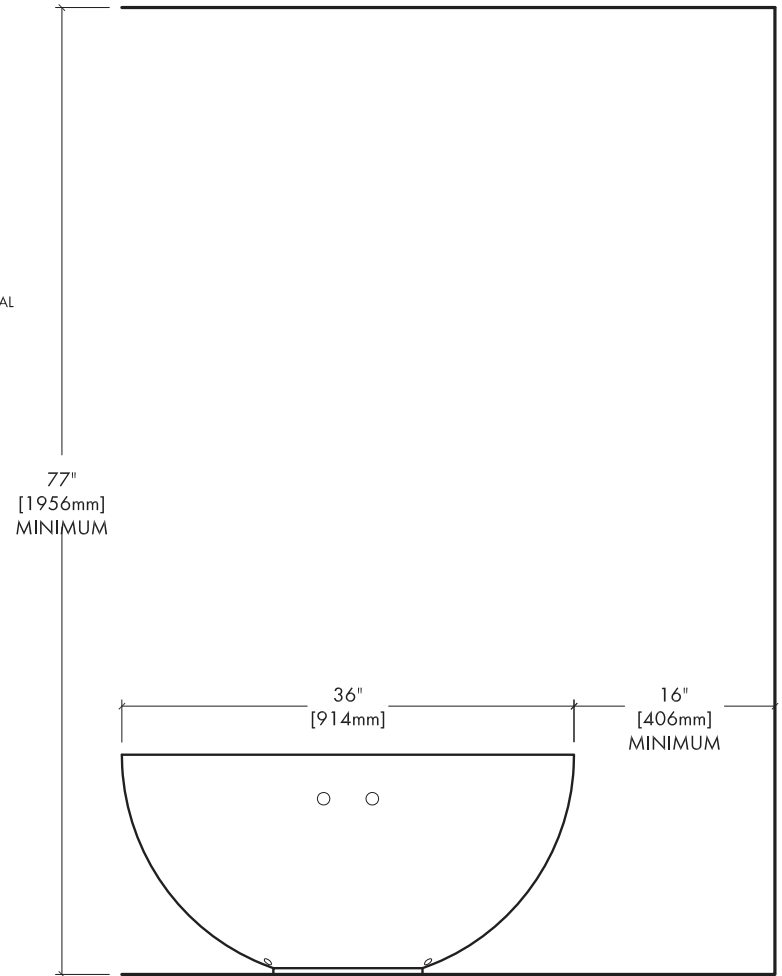
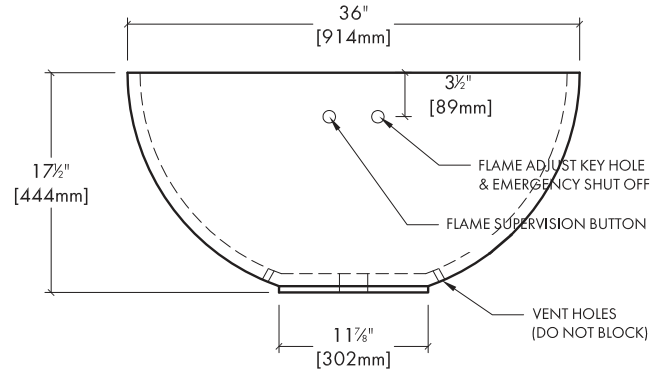
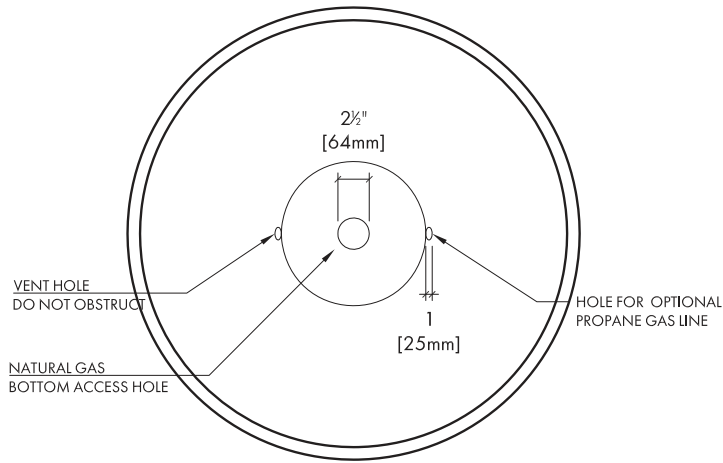
| Gas type:       | Natural Gas | Propane/But. |
|-----------------|-------------|--------------|
|                 | G20         | G31          |
| Inlet press:    | 20mbar      | 37 mbar      |
| Manifold press: | 17.09 mbar  | 35.73 mbar   |
| Heat Output:    | 19.6 kW     | 19.5 kW      |

BS EN 509:2001+ A1:2003 + A2:2004  
BS EN 489:2012



**CONCRETE SPECS**

|           |                          |
|-----------|--------------------------|
| Strength: | 10,000 psi (proprietary) |
| Weight:   | 156 lbs / 71 kg          |



**CLEARANCES to ADJACENT MATERIALS**

**ACCESSORIES**

- 1/ All Weather Fabric Cover /extends warranty.
- 2/ Hardwood Table Top / Sustainable harvest unfinished red Batu wood.
- 3/ Anodized Aluminum Ring Top / 1/4" plate with 5/8" supports / extends warranty.
- 4/ Glass Wind Guard.

JOB / ORDER  
Name or Number:

Signature & Date: