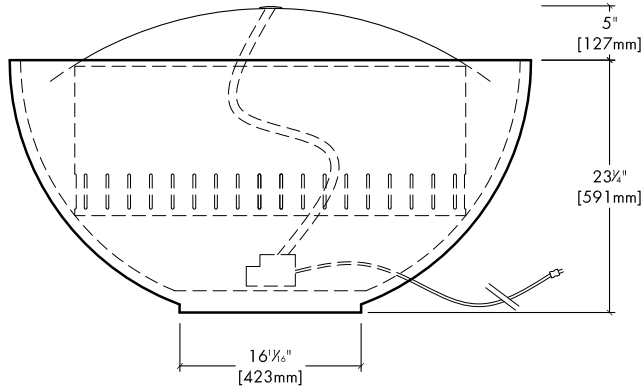
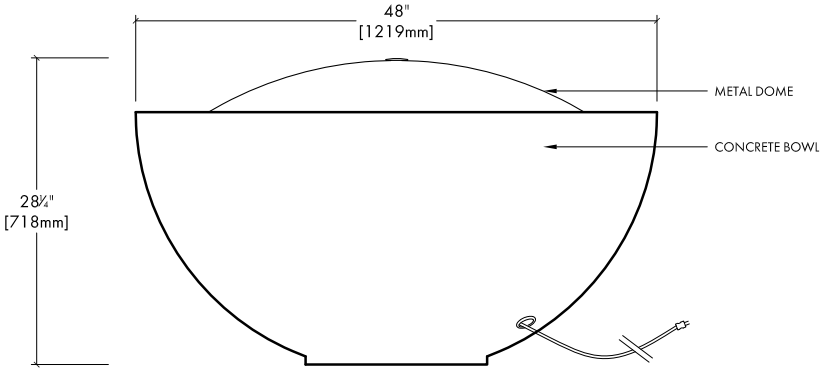
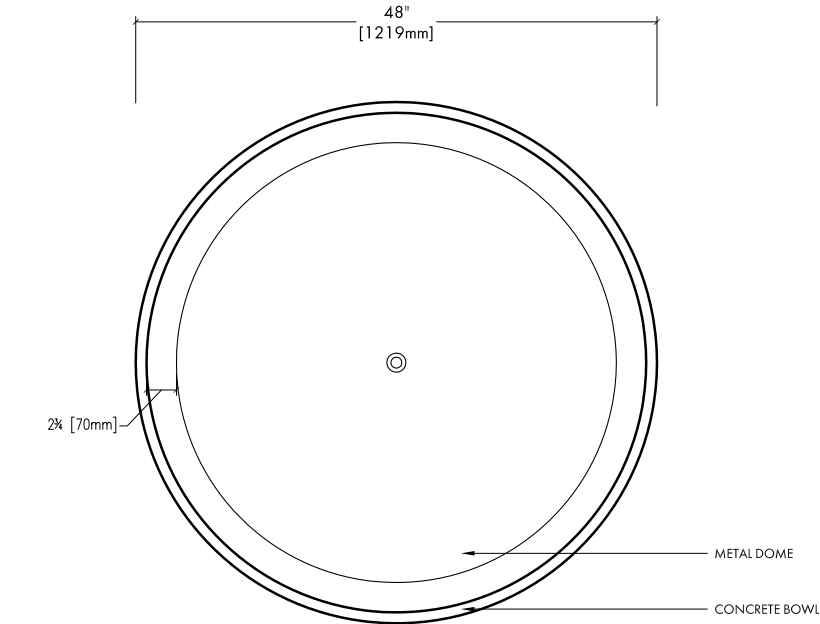


# DOME 48

Comes complete as a plug-in water feature. Just add water

- Contents:
- Solus concrete bowl and solid metal dome.
  - Metal dome in choice of Stainless Steel or Brass.
  - Adjustable flow 350 GPH (1325 LPH) high quality pump w 2-year manufacturers warranty.
  - Approximately 14 feet (4.25 m) of electrical cord length.
  - Acrylic dome support.
  - On/Off weather resistant remote control for N. America voltage only.
  - Water is NOT supplied.

NOTE: Pump is available in two voltage types.  
 120V for N. America  
 OR  
 230V for U.K. & Europe (Euro area requires a qualified technician to install wall plug).



ORDER NO. / JOB NAME

Signature: \_\_\_\_\_ Date: \_\_\_\_\_

PRODUCT: **DOME 48**

COLOUR: Bowl: \_\_\_\_\_ Dome: \_\_\_\_\_

OTHER: Weight ~ 260 lbs (118 kg) without water